

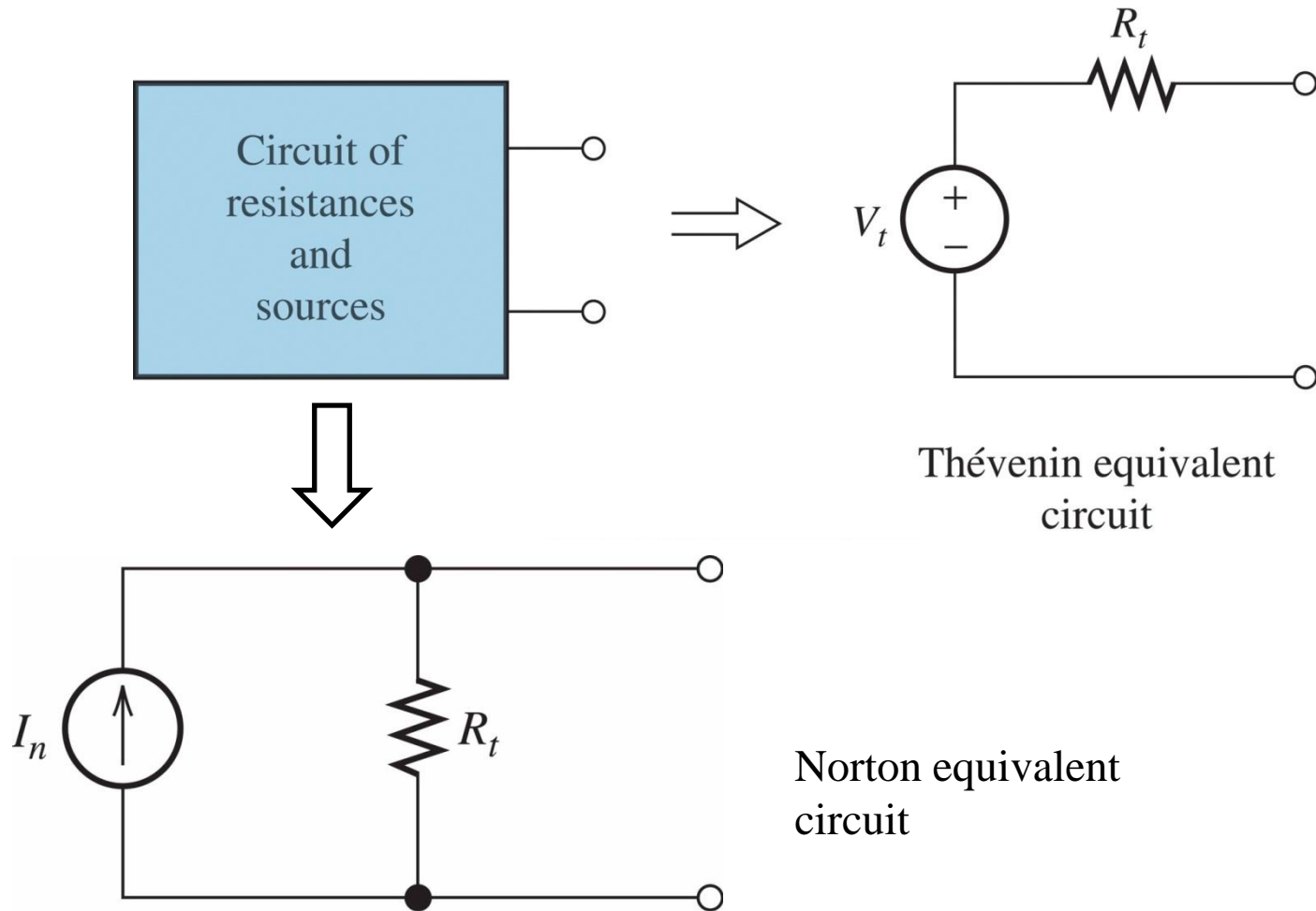
# EELE 250: Circuits, Devices, and Motors

Lecture 14

# Assignment Reminder

- Read 5.6, 6.2 AND 10.1 – 10.6
- Practice problems:
  - P5.65, P5.67, P5.81, P5.91
  - P6.24, P6.25
  - P10.8, P10.14, P10.36
- D2L Quiz #7 by 11AM on Monday 17 Oct.
- Lab #5 this week—be sure to do the pre-lab calculations!
- Exam #2: in class on Monday 17 Oct.

# Review: Thévenin and Norton Circuits



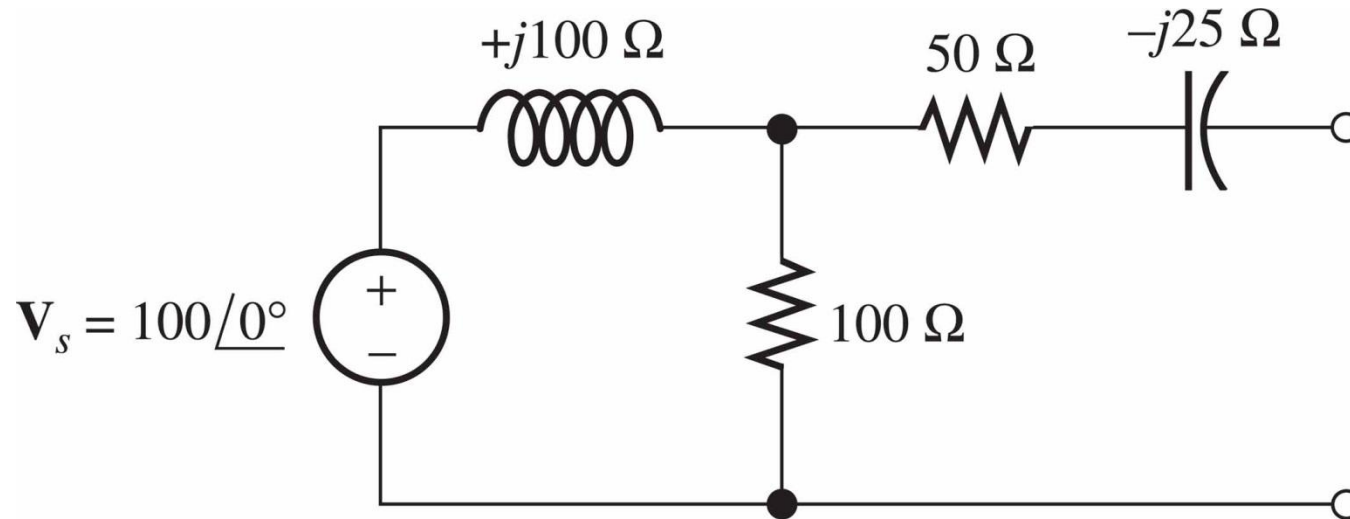
# Thévenin and Norton (cont.)

- Thévenin voltage is the *open circuit voltage*
- Norton current is the *short circuit current*
- The equivalent resistance is  $V_{oc}/I_{sc}$
- We can also find the equivalent resistance by turning “off” the independent voltage and current sources and finding the equivalent resistance of the resulting circuit

# Generalize to Impedances...

- We can extend the Thévenin and Norton equivalent circuits to RLC circuits and AC steady-state analysis
- Same principles apply: find open-circuit voltage and short-circuit current
- Can also determine impedance by finding equivalent impedance with independent sources turned “off”

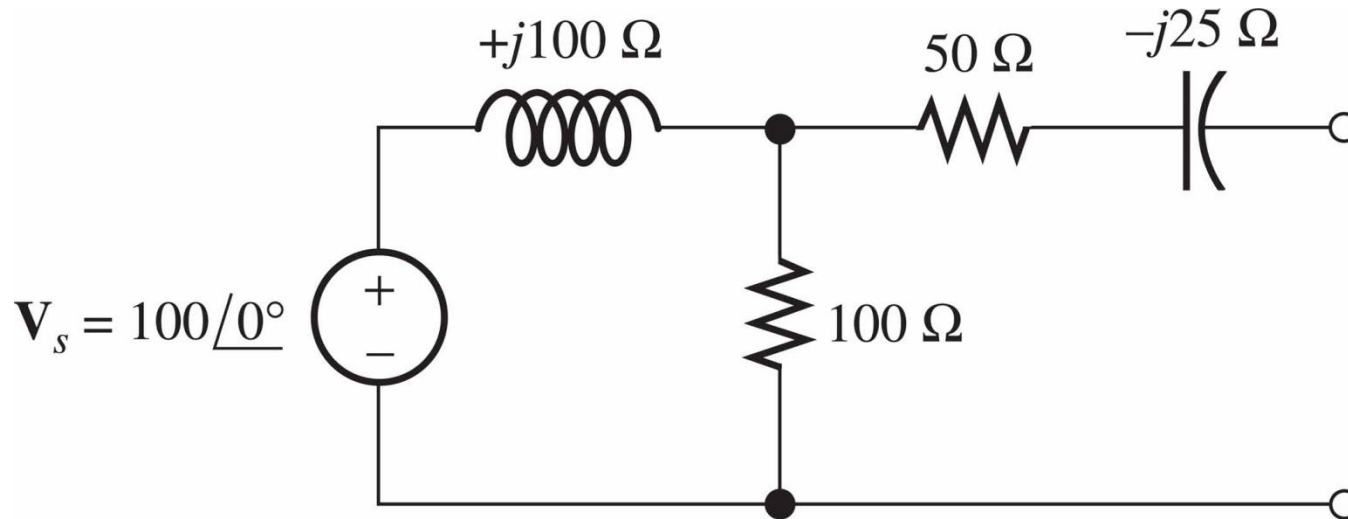
# Thévenin example



Plan:

- Find open-circuit voltage
- Find impedance

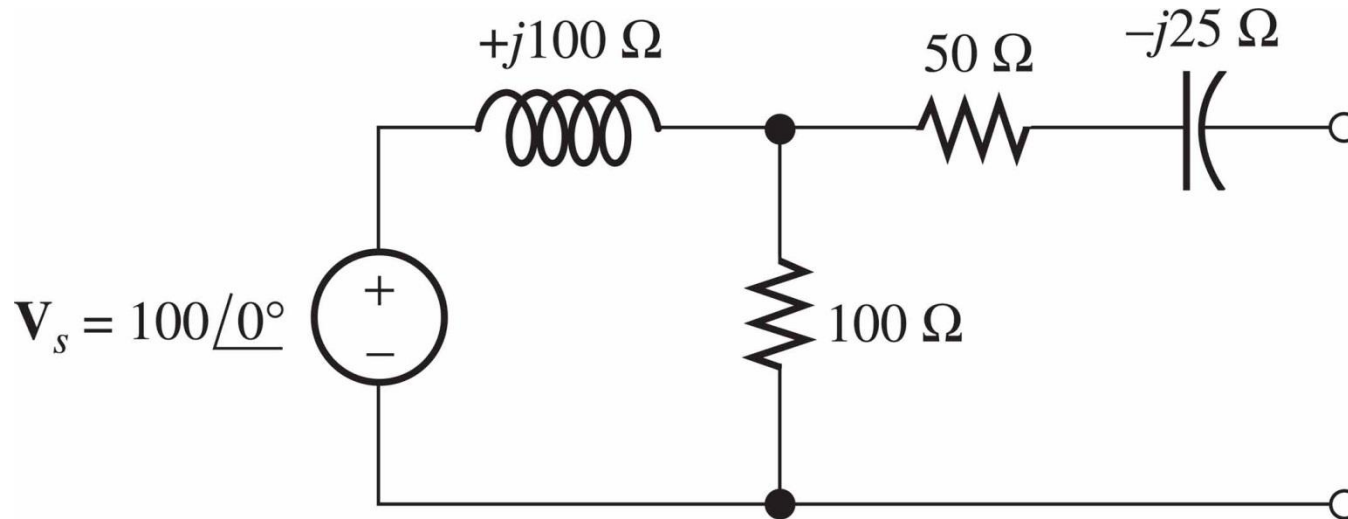
# Thévenin example (cont.)



Open circuit voltage:

- NOTE that no current upper-right branch, since o.c.
- This means  $V_{oc} = V$  across  $100\ \Omega$  resistor
- Current in  $100\ \Omega$  resistor is  $V_s / (j100 + 100)$   
 $I_s = 100\angle 0^\circ / 141\angle 45^\circ = 0.707\angle -45^\circ$
- So  $V_{oc} = 100 I_s = 70.7\angle -45^\circ$

# Thévenin example (cont.)



Equivalent impedance:

- Turn “off”  $V_s$  (zero volts means short circuit)

- $$\mathbf{Z}_t = 50 - j25 + ( 100 \parallel j100 )$$

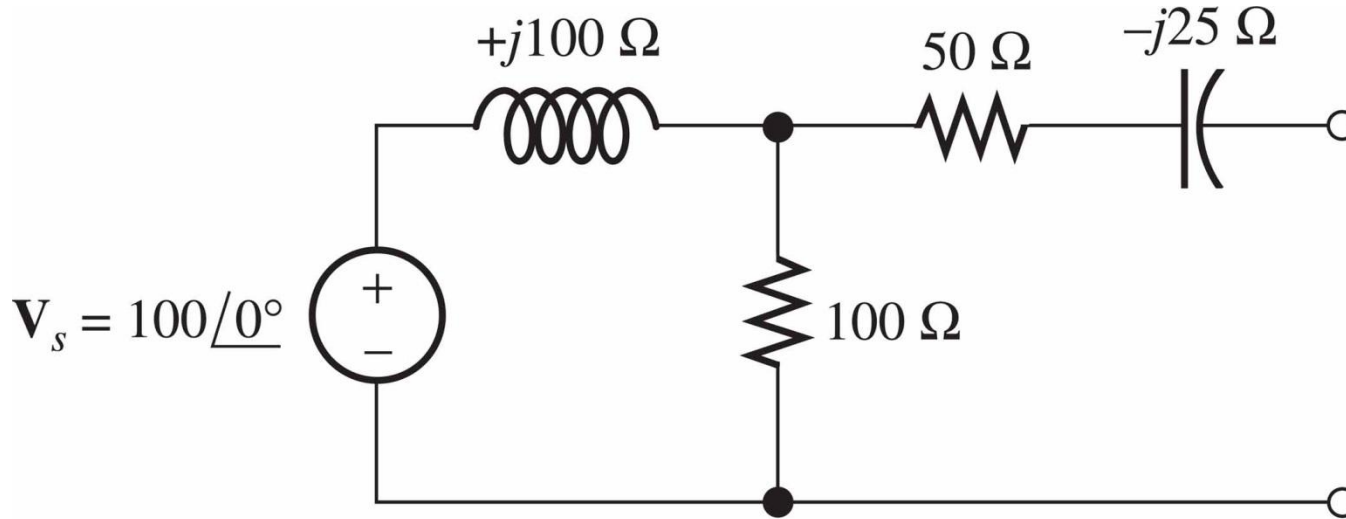
$$= 50 - j25 + j10000/(100 + j100)$$

Note  $10000\angle 90^\circ / 141\angle 45^\circ = 70.92\ \angle 45^\circ$

$$= 50 - j25 + 50.15 + j50.15 = 100.15 + j25.15$$



# Thévenin example (cont.)



- $V_t = 70.7 \angle -45^\circ$  volts
- $Z_t = 100 + j25 = 103 \angle 14^\circ \Omega$
- $I_n = V_t / Z_t = 70.7 \angle -45^\circ / 103 \angle 14^\circ$   
=  $0.686 \angle -59^\circ$  amps

# Maximum Power Transfer

- To maximize the power delivered to a load impedance:

$$\mathbf{Z}_{\text{load}} = \mathbf{Z}_{\text{t}}^*$$

The load is matched to the *complex conjugate* impedance

- To maximize the power delivered to a *resistive* load:

$$R_{\text{load}} = |\mathbf{Z}_{\text{t}}|$$

The resistive load is matched to the *magnitude* impedance

# Summary and Review

- Thévenin and Norton concept applies to impedances and steady-state AC analysis
- Apply calculations and simplifications using phasor and complex rectangular arithmetic
- Maximize power transfer with a matched load, either  $\mathbf{Z}_{\text{load}} = \mathbf{Z}_t^*$  if complex impedance, or  $R_{\text{load}} = |\mathbf{Z}_t|$  if resistive load.